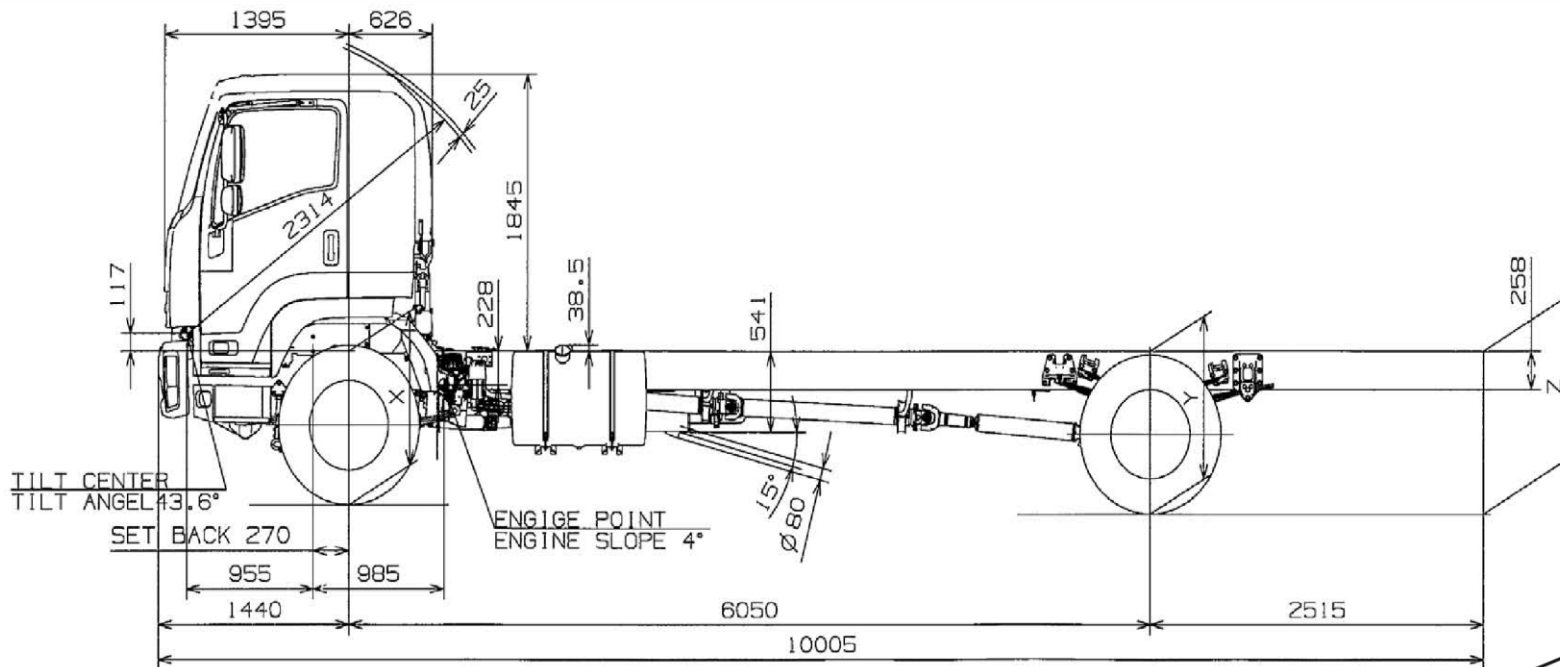
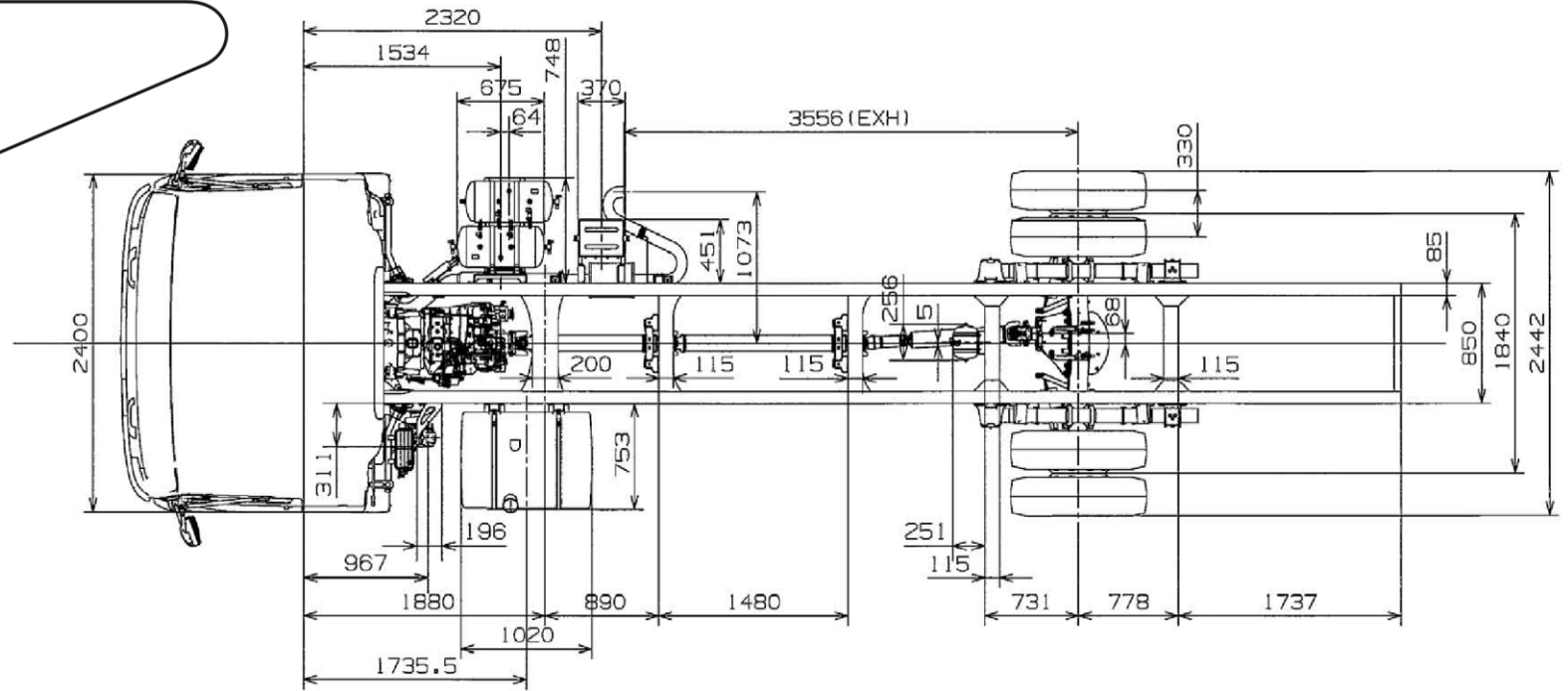


FVR-900

CHASSIS CAB DRAWINGS



HH – REAR GROUND CLEARANCE
235 mm

EH – CHASSIS REAR END HEIGHT
1095mm

www.isuzu.co.za  

ISUZU

With you, for the long run