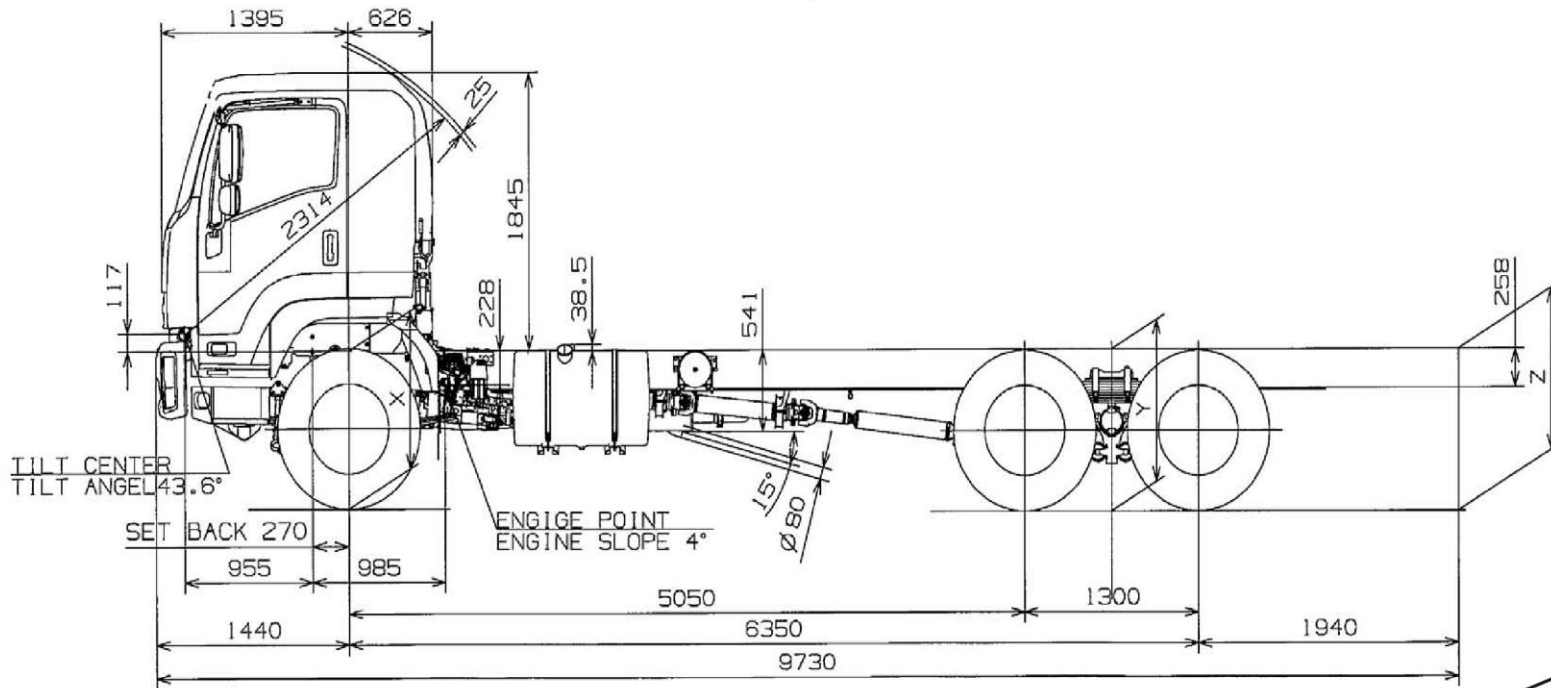
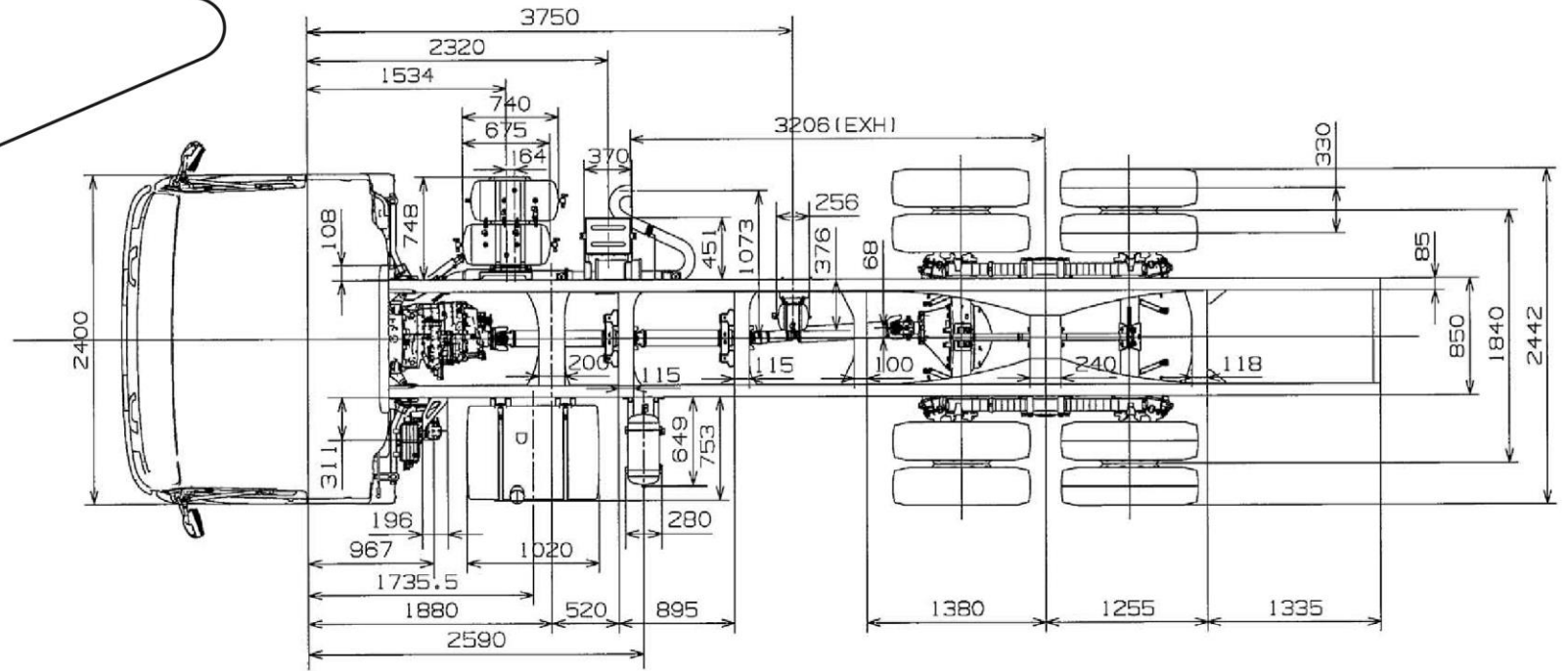


# FVM-1200

## CHASSIS CAB DRAWINGS



**HH – REAR GROUND CLEARANCE**  
235 mm

**EH – CHASSIS REAR END HEIGHT**  
1070mm

www.isuzu.co.za  

**ISUZU**  
*With you, for the long run*