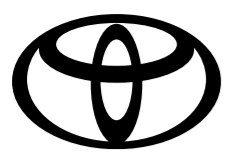

TOYOTA HIACE SES'FIKILE



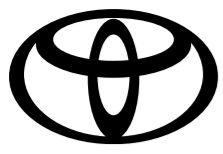


SPECIFICATIONS

Hiace Ses'fikile 2.7 16s

Hiace Ses'fikile 2.5D 16s

Engine and Drivetrain		
Bore x Stroke (mm)	95.0x95.0	92.0x93.8
Fuel System	Petrol EFI	Diesel Common Rail
Maximum Power (kW @ r/min)	111 @ 4800	75 @ 3600
Maximum Torque (Nm @ r/min)	241 @ 3800	260 @ 1600-2400
Number of Cylinders and Arrangement	Inline-4	Inline-4
Stabilizer	Front Only	Front Only
Tool Set	Basic + Spanner, Plier, Driver	Basic + Spanner, Plier, Driver
Turbo Charger		•
Engine capacity (litre)	2.7	2.5
0-100 (sec)	20.7	26.0
Transmission		
Transmission	Manual-5-speed	Manual-5-speed
Driven Wheels	RWD	RWD
Starting System	Rotary (Mechanical)	Rotary (Mechanical)
Suspension		
Front	Double Wishbone	Double Wishbone
Rear	Rigid-Axle-(Leaf)	Rigid-Axle-(Leaf)
Wheels and Tyres		
Spare Wheel	Full 195-R15	Full 195-R15
Tyre Size	F:195-R15 R:195-R15	F:195-R15 R:195-R15
Body and Styling		
Antenna	•	•
Door Outside Handles	Black	Black
Front Bumper	Black	Black
Windshield Glass	Laminated, Green, Tempered	Laminated, Green, Tempered
Headlights	Halogen	Halogen
High-Mounted Brake Light	Standard LED	Standard LED
Side Mirrors	Black	Black
Front Grille	Colour	Colour
Rear Bumper	Black	Black
Front side Glass	UV cut, Green, Reinforced	UV cut, Green, Reinforced
Rear side Glass	UV cut, Green	UV cut, Green
Rear quarter Glass	UV cut, Green	UV cut, Green
Back Glass	UV cut, Green	UV cut, Green
Front Window Wiper	Intermittent	Intermittent



SPECIFICATIONS

Hiace Ses'fikile 2.7 16s

Hiace Ses'fikile 2.5D 16s

Body and Styling

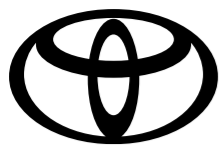
Side Step	•	•
-----------	---	---

Interior, Comfort and Convenience

Ashtray	•	•
Assist Grip	Standard 5	Standard 5
Clock	Standard Digital	Standard Digital
Cupholders	Standard 2	Standard 2
Door Inside Handles	Grey	Grey
Door Trim	Moulded	Moulded
Front Headrest	Adjustable 2	Adjustable 2
Rear View Mirror	Day & Night	Day & Night
Key Reminder Warning	Standard Buzzer	Standard Buzzer
Meter Illumination Control	•	•
Room Lamp	•	•
Speedometer	Analog	Analog
Steering Wheel	4 Spoke Urethane	4 Spoke Urethane
Driver Guard	•	•
Footrest	•	•
Front Seat Reclining	Manual	Manual
Light Remind Warning	Standard Buzzer	Standard Buzzer
Heater	Manual	Manual
Illuminated Entry	•	•
Power Steering	Electric / (EPS)	Electric / (EPS)
Speakers	Standard 4	Standard 4
Steering Column Adjustments	Manual Tilt	Manual Tilt
Sun Visor	Standard	Standard

Safety and Security

Anti-Theft System	Immobiliser	Immobiliser
Emergency Brake Signal	•	•
Front Seat Belts	ELR, Pretensioner	ELR, Pretensioner
Power Door Lock	Standard	Standard
Rear Seat Belts	Standard	Standard
Seat Belt Warning	Driver only Light	Driver only Light
Airbags	Driver, Passenger	Driver, Passenger



SPECIFICATIONS

Hiace Ses'fikile 2.7 16s

Hiace Ses'fikile 2.5D 16s

Driver Support Systems

Anti-Lock Braking System (ABS)	•	•
Brake Assist (BA)	•	•
Hill Assist Control (HAC)	•	•
Traction Control (TRC)	Standard	Standard
Vehicle Stability Control (VSC)	•	•

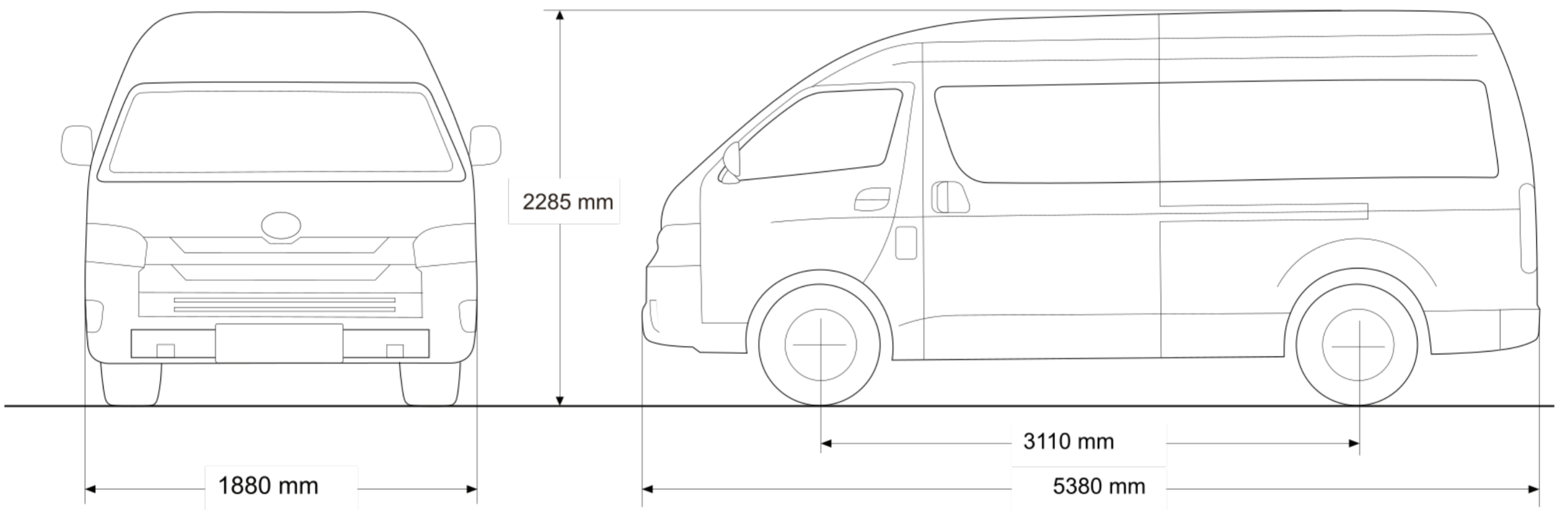
Service and Warranty

Service Plan	6 Services / 60,000km	6 Services / 60,000km
Service Interval	12 months / 10,000km	12 months / 10,000km
Warranty	3 years / 100,000km	3 years / 100,000km

Dimensions and Capacities

Approach Angle (°)	17.0	17.0
Departure Angle (°)	19.2	19.2
Front Overhang (mm)	1185	1185
Front Tread (mm)	1655	1655
Fuel Tank Size (L)	70	70
Gross Combination Mass (GCM)	4740	4790
Ground Clearance (mm)	185	185
Gross Vehicle Mass (GVM)	3340	3390
Height (mm)	2285	2285
Kerb Weight (kg)	2080	2115
Length (mm)	5380	5380
Rear Overhang (mm)	1085	1085
Rear Tread (mm)	1650	1650
Towing Capacity - Unbraked (kg)	400	400
Towing Capacity - Braked (kg)	1400	1400
Turning circle (tyres, m)	6.2	6.2
Wheelbase (mm)	3110	3110
Width (mm)	1880	1880
Top Speed (km/h)	100	100

LINE DRAWING



EXTERIOR COLOURS

FOR ILLUSTRATIVE PURPOSES ONLY.

MONOTONE

058 - Ivory White

**Disclaimer:**

The information contained within or made available on any Toyota platform or note including but not limited to, this website/brochure/specification sheet, is provided for information purposes only. While we make reasonable efforts to update the information on our platform/s, Toyota Motor Corporation of Japan, and Toyota South Africa Motors (Pty) Ltd makes no representations, warranties, or guarantees, whether express or implied, that the content is accurate, complete or up to date, and all information contained herein is subject to change without notice.

Vehicle specifications may vary depending on the model, trim level, and market. Colours depicted on print and web material may not match the actual vehicle colour. Fuel consumption figures are estimates based on standardised testing conditions and actual results may vary due to (but not limited to) driving style, vehicle loading, tyres, wind, traffic, and accessories. All dimensions, capacities, and performance figures are approximate. Some features/options may be optional or only available on certain models/trim levels. Images and illustrations are for illustrative purposes only and may not reflect the actual vehicle.

Your use of, or reliance on, any information or contents herein is entirely at your own risk. Toyota Motor Corporation of Japan and Toyota South Africa Motors (Pty) Ltd (including its owners, agents, consultants, employees, and any affiliated person(s)) are not responsible for any loss or damages related to your use of, reliance on, or understanding of any information or contents on this or any other Toyota platform. This includes, without limitation, any direct, indirect, special, incidental, consequential, or punitive damages in terms of any contract, delict (breach of a duty of care) or law.

Furthermore, Toyota Motor Corporation of Japan and Toyota South Africa Motors (Pty) Ltd do not guarantee the uninterrupted or error-free operation of any platform or the availability of content, and are not liable for any interruptions, errors, or damages caused by any technical issues or limitations of these platforms, including but not limited to, server downtime, software malfunctions, or internet connectivity issues.

