
TOYOTA bZ4X

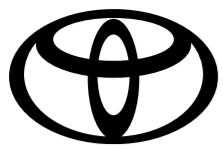


THE ALL-NEW
bZ4X

IT JUST GOT REAL



Issued on: 2026/06/03



SPECIFICATIONS

bZ4X

Engine and Drivetrain

Electric Motor Power (kW)	255.3
Front Motor Torque (Nm)	268.6
Fuel System	Battery Electric
Rear Motor Torque (Nm)	169.8
0-100 (sec)	5.1

Transmission

Transmission	Automatic-Single
Driven Wheels	AWD
Starting System	Push Start
Paddle Shift	.

Suspension

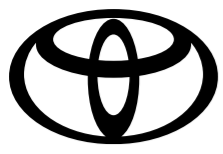
Front	MacPherson
Rear	Wishbone---Trailing

Wheels and Tyres

Spare Wheel	Without (Repair Kit Included)
Tyre Size	F:235-50 R20 Alloy R:235-50 R20 Alloy

Body and Styling

Back Glass	UV cut, Green
Body Colour	Monotone
Daytime Running Light	Standard LED
Door Outside Handles	Colour - Coded
Front Bumper	Black + Colour Coded
Front Window Wiper	Auto, Rainsensing
Front side Glass	UV cut, Green, Acoustic
Headlamp Levelling	Standard Dynamic
Headlamps Cleaner	.
Headlights	LED - Adaptive High-beam System (AHS)
High-Mounted Brake Light	Standard LED
Light Control System	Auto Light Control System
Luggage Boot / Rear Door	Standard Power
Rear Bumper	Black
Rear Fog Lamp	Standard LED
Rear Lights	LED
Rear side Glass	UV cut, Green
Side mirrors	Black, Power, Auto-Retractable, Memory, With Indicator, Blind Spot Monitor (BSM), Heated, Camera, Reverse-linked Tilt, Foot light



SPECIFICATIONS

bZ4X

Body and Styling

Rear Spoiler •

Roof Rails •

Interior, Comfort and Convenience

2nd Row Seats 60:40

Cupholders Standard 4

Front Personal Lamp Standard LED

Meter Illumination Control •

Package trim and Tonneau cover •

Rear View Mirror Digital

Room Lamp Standard LED

Seat Back Pockets Standard Driver and Passenger

Seat Trim Leather Sporty

Shift Lever & Knob Dial Type Knob With Integrated Parking

Steering Wheel 3 Spoke Synthetic Leather + Heater

Airconditioner Auto Dual zone

Android Auto & Apple CarPlay •

Audio System JBL Display Audio, EMV, 14-inch

Bluetooth •

Cruise Control Standard Adaptive, All Speed

Electric Windows All All One Touch

Front Seat Adjustment Driver & Passenger Power/ Driver Memory

Light Remind Warning Standard Buzzer

Multi-Information Display Standard TFT Colour, 7-inch

Power Socket Front - 12V

Power Steering Electric / (EPS)

Rear Armrest Standard 2 Cupholders

Reverse Camera Display Audio/ Panoramic View Monitor

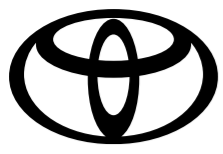
Seat Heater Standard Front and Rear

Seat Lumbar Support Driver 2-way

Seat Ventilation Standard Driver + Passenger

Speakers Standard 9

Steering Switches Standard Audio, Telephone, Info Display, Voice Command, Adaptive Cruise Control, Lane Trace Assist



SPECIFICATIONS

bZ4X

Interior, Comfort and Convenience

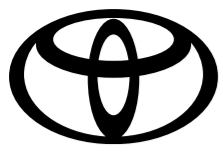
Sun Visor	Standard Mirror with Cover, LED lamp
USB Type C	Standard 4PCs
Wireless Charger	Standard Front x1

Safety and Security

Airbag On-Off Switch	•
Airbags	Curtain, Driver, Passenger, Driver Knee, Front Side, Front Centre
Anti-Theft System	Siren Alarm / Immobiliser / Intrusion Sensor / Glass Break Sensor / Tilt Sensor
Auto Door Lock	•
Child Lock	Standard Rear door
Child Restraint System (ISOFIX)	Standard 2
Emergency Brake Signal	•
Front Brake	Ventilated Disc
Parking Brake	Electric
Pre-Crash System (Brake Synchronised)	•
Rear Brake	Ventilated Disc
Rear Window Demister	•
Seat Belt Warning	Front + Rear Buzzer + Light
Toyota Safety Sense	•
Wireless Door Lock	Standard Smart Entry

Driver Support Systems

Anti-Lock Braking System (ABS)	•
Blind Spot Monitor (BSM)	Standard Safe Exit Assist
Brake Assist (BA)	•
Crawl Control	•
Downhill Assist Control (DAC)	•
Drive Mode Select	Standard Eco / Normal / Sport / X-MODE
Electronic Brake Force Distribution (EBD)	•
Hill Assist Control (HAC)	•
Intelligent Park Assist	•
Lane Keeping System	Standard Lane Trace Assist
Multi-Terrain Select (MTS)	•
Park Distance Control	Standard Front + Rear, Intelligent Clearance Sonar
Regeneration Boost	•



SPECIFICATIONS

bZ4X

Driver Support Systems

Tyre Pressure Monitor	Standard Auto Location
Vehicle Stability Control (VSC)	.

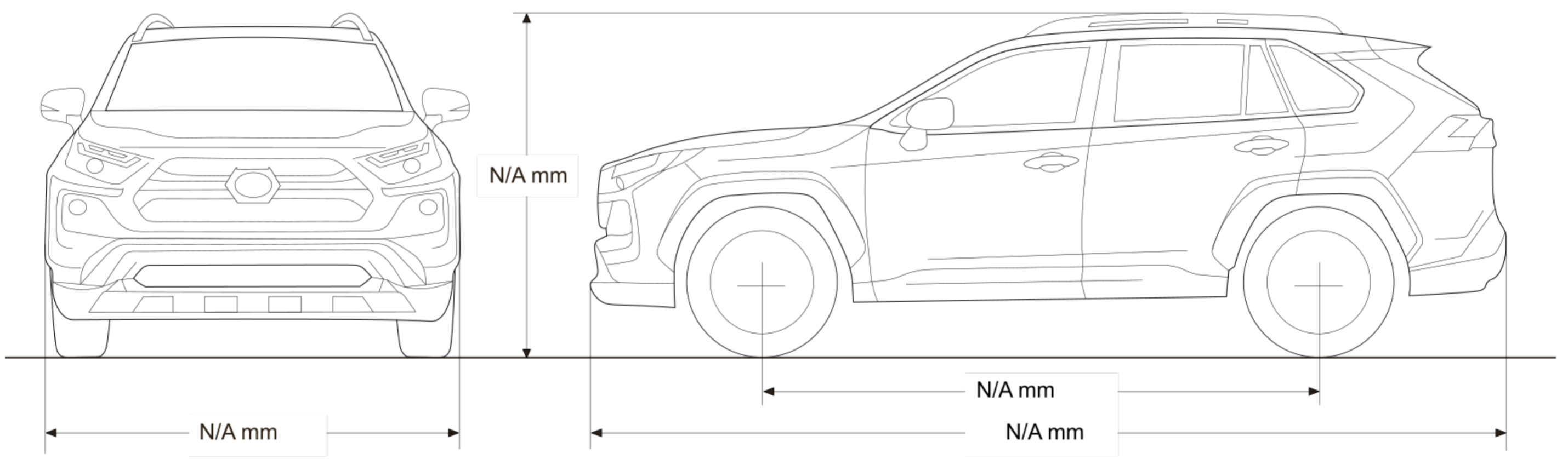
Service and Warranty

EV Battery Warranty	8 years 160 000km
Service Interval	12 months / 15, 000km
Service Plan	6 Services / 90, 000km
Warranty	3 years / 100, 000km

Dimensions and Capacities

Top Speed (km/h)	160
------------------	-----

LINE DRAWING



EXTERIOR COLOURS

FOR ILLUSTRATIVE PURPOSES ONLY.

MONOTONE

1L5 - Midnight Grey



3U5 - Fierce Red

8X8 - Moonlight Ocean
Metallic089 - Platinum White
Pearl

218 - Attitude Black

**Disclaimer:**

The information contained within or made available on any Toyota platform or note including but not limited to, this website/brochure/specification sheet, is provided for information purposes only. While we make reasonable efforts to update the information on our platform/s, Toyota Motor Corporation of Japan, and Toyota South Africa Motors (Pty) Ltd makes no representations, warranties, or guarantees, whether express or implied, that the content is accurate, complete or up to date, and all information contained herein is subject to change without notice.

Vehicle specifications may vary depending on the model, trim level, and market. Colours depicted on print and web material may not match the actual vehicle colour. Fuel consumption figures are estimates based on standardised testing conditions and actual results may vary due to (but not limited to) driving style, vehicle loading, tyres, wind, traffic, and accessories. All dimensions, capacities, and performance figures are approximate. Some features/options may be optional or only available on certain models/trim levels. Images and illustrations are for illustrative purposes only and may not reflect the actual vehicle.

Your use of, or reliance on, any information or contents herein is entirely at your own risk. Toyota Motor Corporation of Japan and Toyota South Africa Motors (Pty) Ltd (including its owners, agents, consultants, employees, and any affiliated person(s)) are not responsible for any loss or damages related to your use of, reliance on, or understanding of any information or contents on this or any other Toyota platform. This includes, without limitation, any direct, indirect, special, incidental, consequential, or punitive damages in terms of any contract, delict (breach of a duty of care) or law.

Furthermore, Toyota Motor Corporation of Japan and Toyota South Africa Motors (Pty) Ltd do not guarantee the uninterrupted or error-free operation of any platform or the availability of content, and are not liable for any interruptions, errors, or damages caused by any technical issues or limitations of these platforms, including but not limited to, server downtime, software malfunctions, or internet connectivity issues.

